

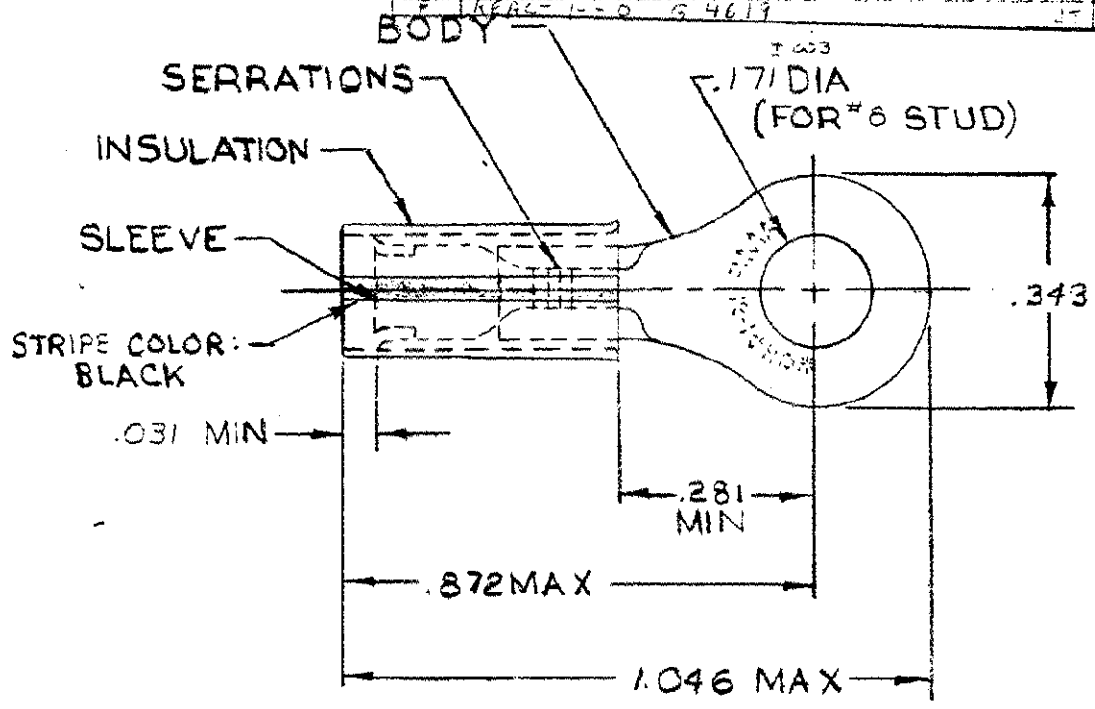
320627

DRAWING MADE IN AMERICAN PROJECTION

LOC **G** PRINT DIST **14 F**

© 1957 BY AMP INCORPORATED. ALL RIGHTS RESERVED. AMP PRODUCTS COVERED BY PATENTS AND/OR PATENTS PENDING.

| REVISIONS | | | |
|-----------|----------------------|------------|----------|
| LTR | DESCRIPTION | DATE | APPROVED |
| G | REV/0720-0060-93 | 4-2-93 | TQ/ml |
| D | REVISED ECN P-6932 | 3-14-72 | fm |
| E | OBS. 1--0 Rev G 2588 | BT 10-9-87 | Pinf |
| F | REAS. 1--0 G 4619 | BT 2-25-88 | p. 111 |



FOR .150 TO .230 WIRE INSULATION DIA.
TONGUE MATERIAL THK = .048^{±.002}

| QTY | DESCRIPTION | PART NO. | MATERIAL & FINISH |
|-----|----------------|------------|--|
| 50 | LOOSE PC. BOX | 8-320627-2 | |
| 1 | 320627 ON TAPE | 1-320627-0 | BODY & SLEEVE: COPPER (QQ-C-576) TIN PL (MIL-T-10727) |
| 1 | WIRE TERMINAL | 320627 | INSULATION: NYLON (MIL-M-20693) TYPE I COLOR: YELLOW |

UNLESS OTHERWISE SPECIFIED, DIMENSIONS ARE IN INCHES
TOL. RANGES FROM:
DECIMALS ±.008
ANGLES 5°

MATERIAL
SEE TABLE

DR. *3-11-71*
CHK. *3-12-71*
APPR. *3-15-71*

AMP AMP INCORPORATED
HARRISBURG, PENNSYLVANIA

NAME: WIRE TERMINAL
P.I.D. 6-RING TONGUE
WIRE SIZE: 16-14 H.D.

| | | |
|------|-----------------|--------|
| SIZE | COD. IDENT. NO. | NUMBER |
| A | 00779 | 320627 |

SCALE: NTS SHEET 1 OF 1